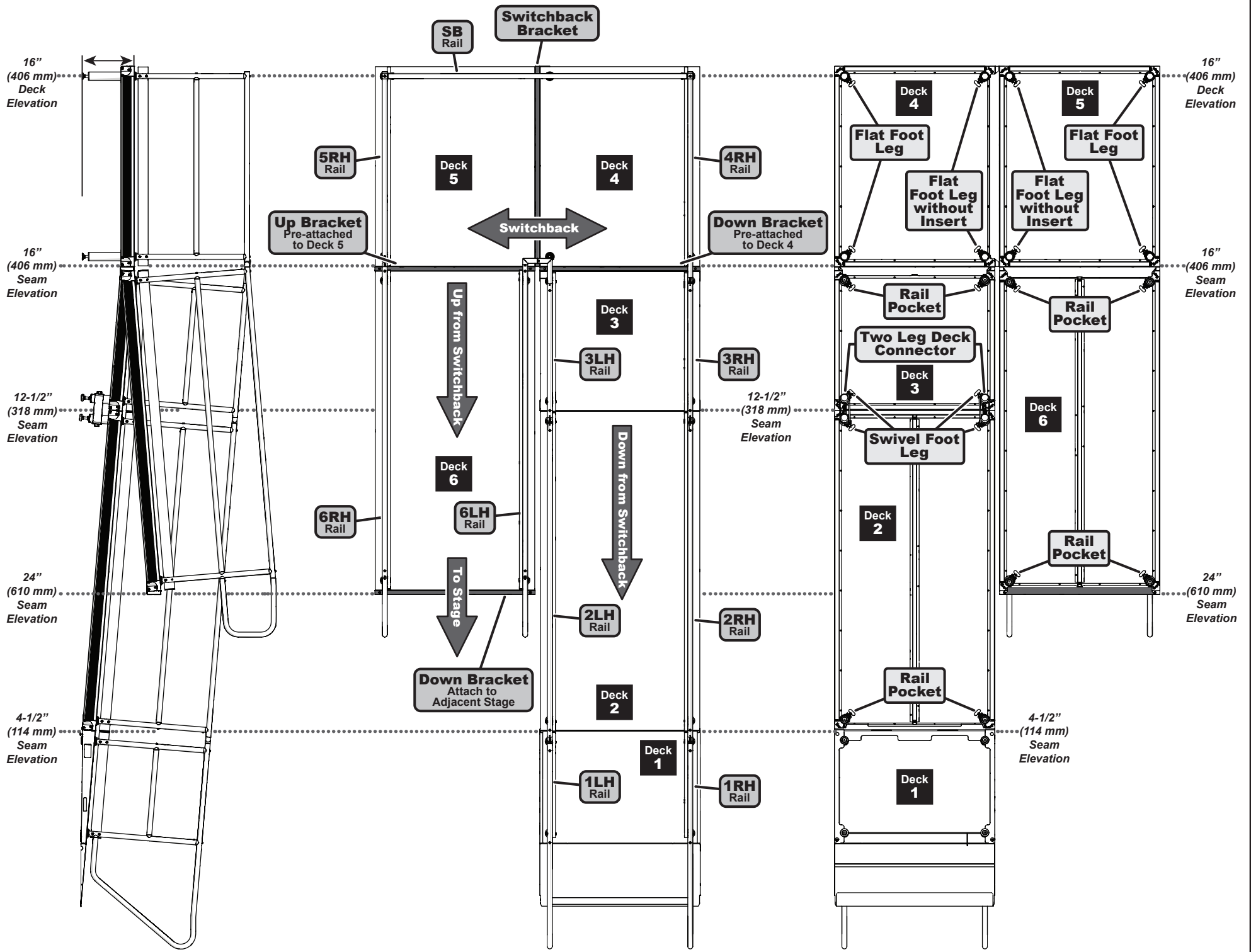
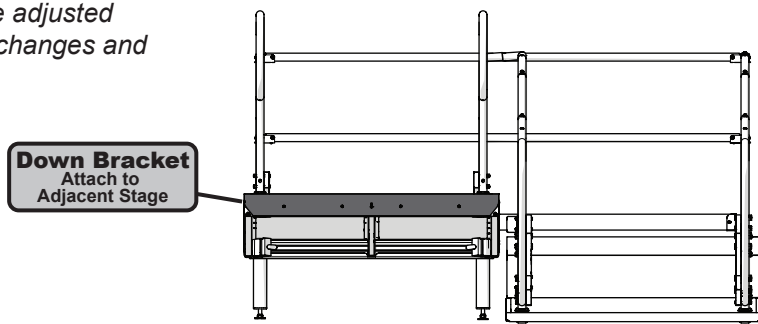


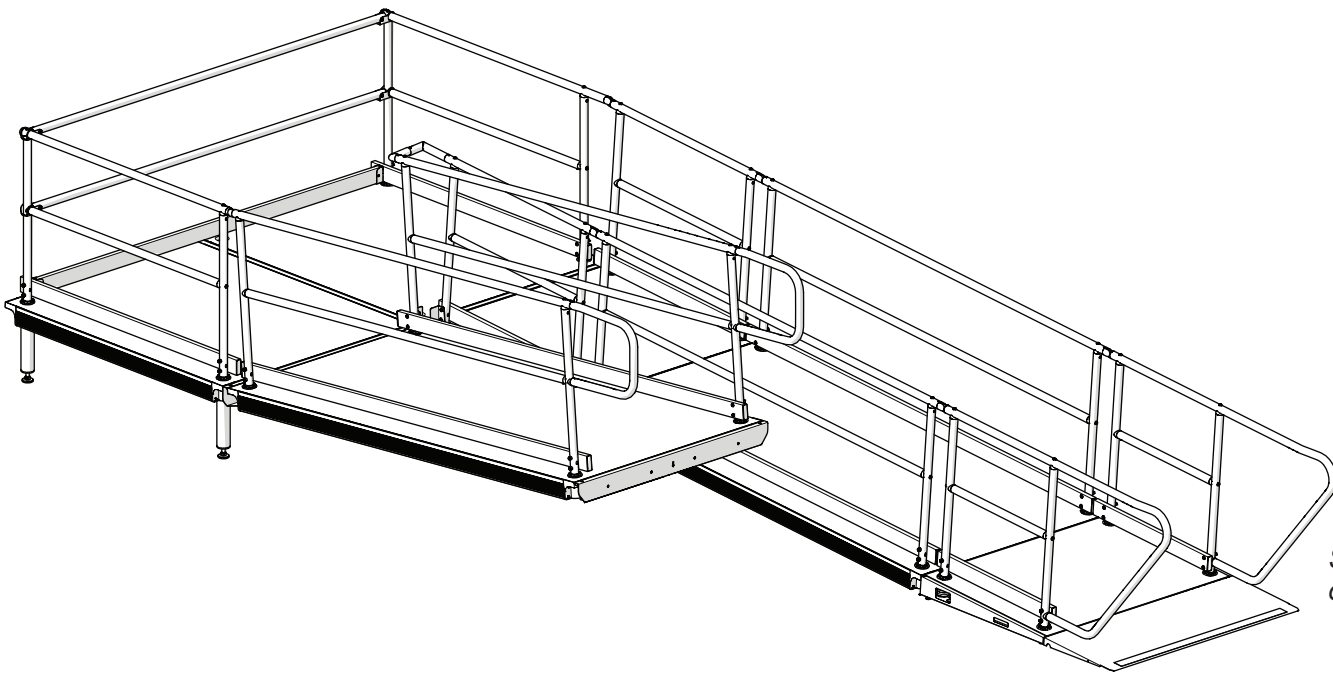
ADA Ramp - Deck and Leg Set Up Guide for 282A017 - 24" (610 mm) Elevation Ramp with Left Hand Switchback



Leg heights may need to be adjusted to accommodate elevation changes and differences.



This guide shows assembled component placement only, see the assembly instructions for assembly procedures.



Shown with optional mid rails

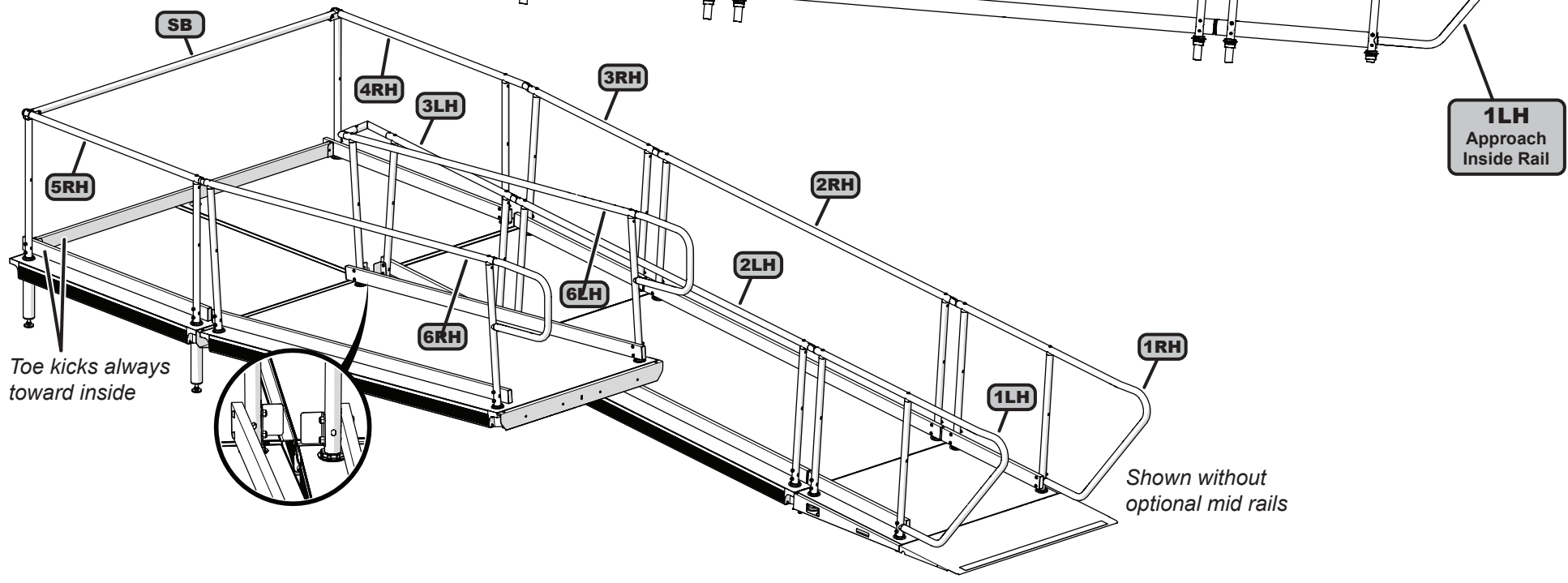
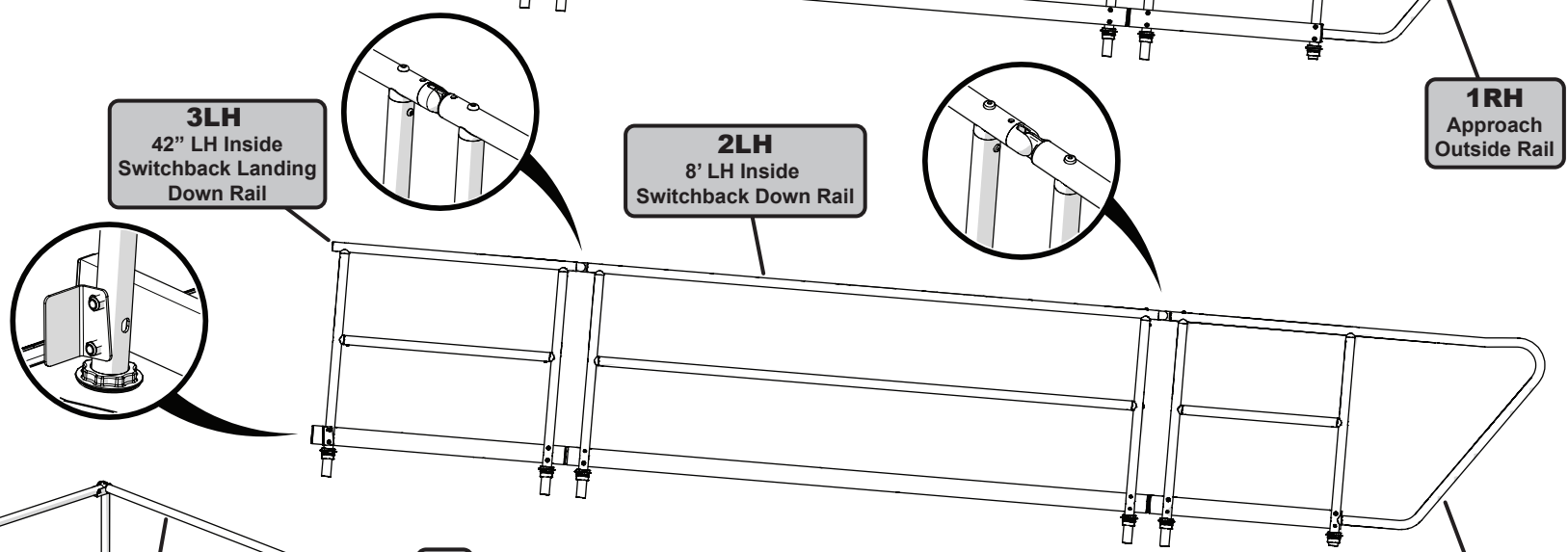
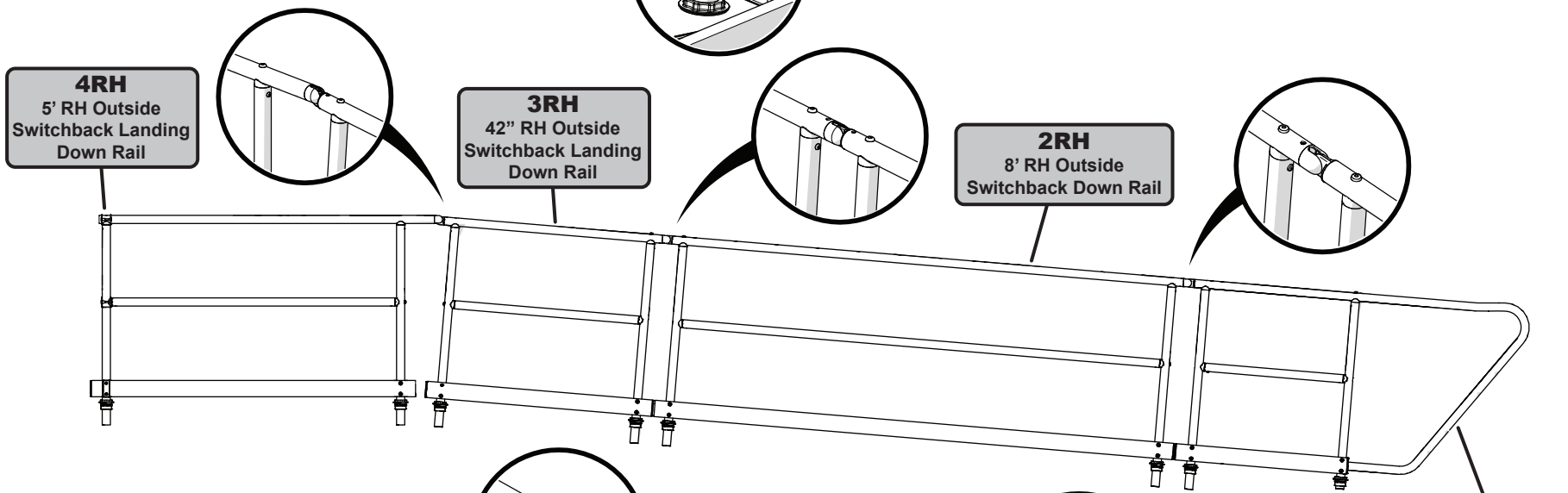
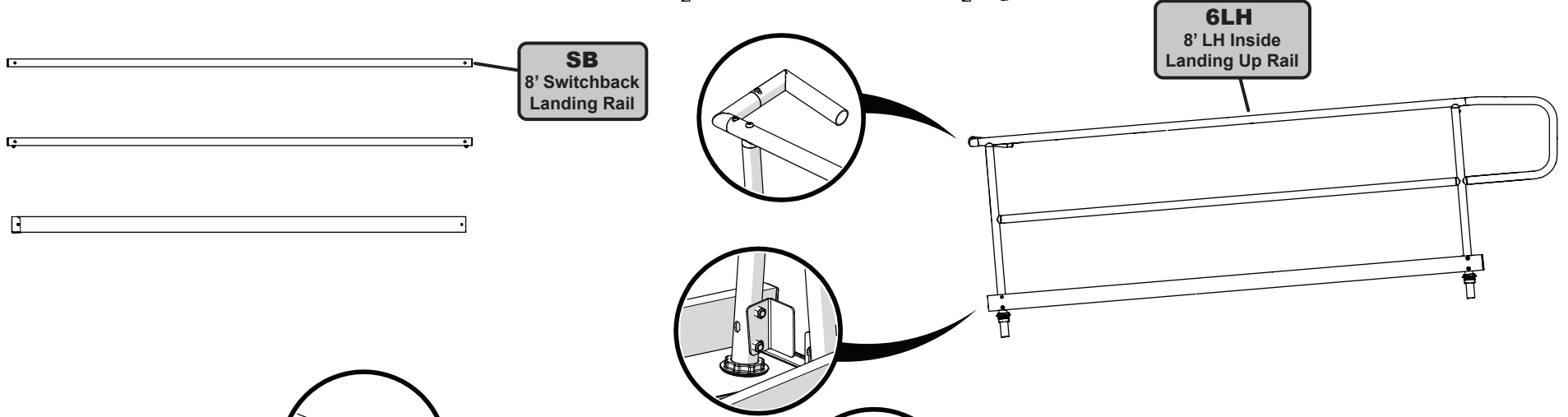
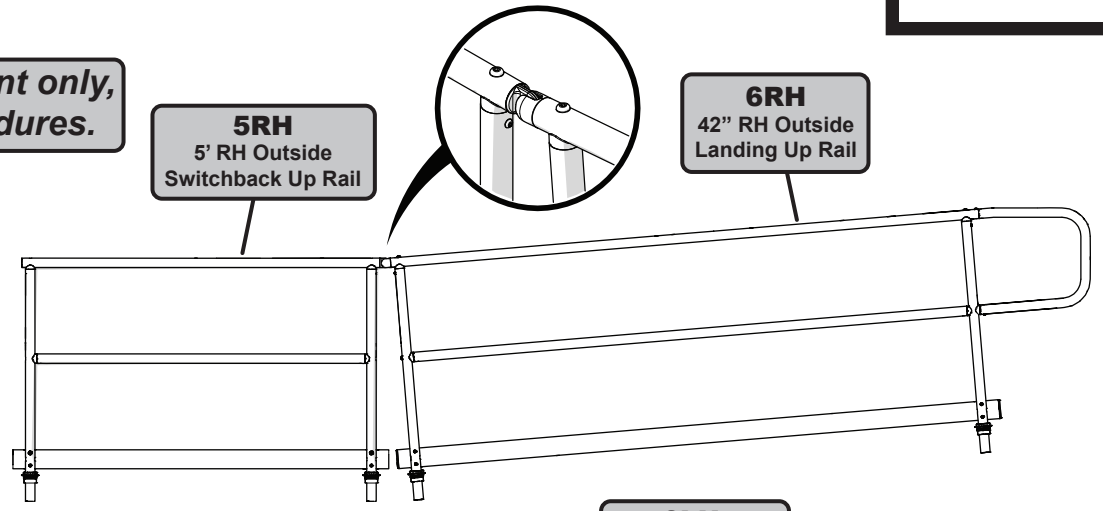
Wenger Corporation
555 Park Drive, PO Box 448
Owatonna, MN 55060
(800) 4WENGER (493-6437) | +1-507-455-4100
wengercorp.com



ADA Ramp - Rail Set Up Guide

for 282A017 - 24" (610 mm) Elevation Ramp with Left Hand Switchback

This guide shows assembled component placement only, see the assembly instructions for assembly procedures.



Wenger Corporation
 555 Park Drive, PO Box 448
 Owatonna, MN 55060
 (800) 4WENGER (493-6437) | +1-507-455-4100
 wengercorp.com

